

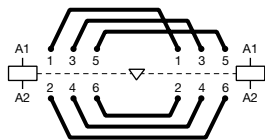
AF40R ... AF96R 3-pole reversing contactors

30 to 60 hp at 480 V AC

AC / DC operated



AF40M-30-22



Power bus diagram

Description

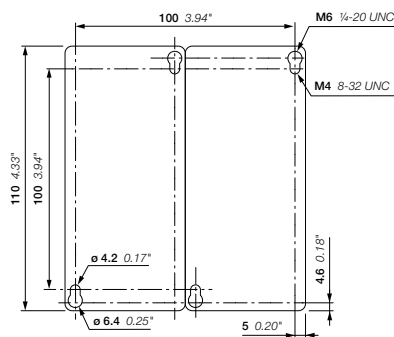
- AF40R ... AF96R reversing contactors are mainly used for directionally controlling 3-phase motor circuits up to 690V AC. These devices include two 3-pole contactors, a mechanical interlock, side-mounted auxiliary contacts for electrical interlocking, power bus (see diagram to the left), and are assembled using fixing clips.
- **Note: for mechanically and electrically interlocked devices without power bus, replace the R in the catalog number with an M (ie. AF40R-30-22-13 becomes AF40M-30-22-13).**
- Control circuit: AC or DC operated with electronic coil interface accepting a wide control voltage
- range (e.g. 100...250 V AC and DC), only 4 control voltage ranges covering 24...500V 50/60 Hz and
- 20...500 V DC
 - can manage large control voltage variations
 - reduced panel energy consumption
 - very distinct closing and opening.
- Built-in surge suppression
- Add-on auxiliary contact blocks for front or side mounting and a wide range of accessories.

Ordering details

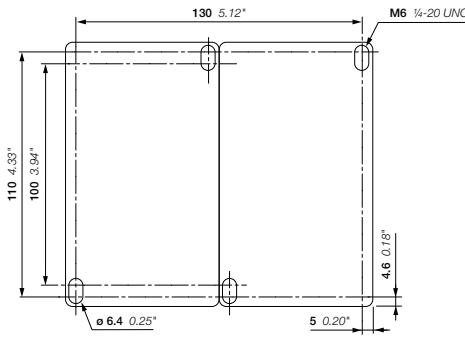
IEC		UL / CSA		Rated control circuit voltage		Auxiliary contacts fitted	Catalog number	Global reference code (2)	Weight Pkg (1 pce)							
Rated operational power	current $\theta \leq 40^\circ\text{C}$	3-phase motor rating	General use rating	Uc min. ... Uc max.												
400 V AC-3	A	hp	A	V 50/60 Hz	V DC				kg							
				18.5	70					30	60	24...60	-	2 2	AF40R-30-22-41	2.283
												24...60	20...60 (1)	2 2	AF40R-30-22-11	2.283
												48...130	48...130	2 2	AF40R-30-22-12	2.283
												100...250	100...250	2 2	AF40R-30-22-13	2.263
				250...500	250...500	2 2	AF40R-30-22-14	2.263								
22	100	40	80	24...60	-	2 2	AF52R-30-22-41	2.283								
				24...60	20...60 (1)	2 2	AF52R-30-22-11	2.283								
				48...130	48...130	2 2	AF52R-30-22-12	2.283								
				100...250	100...250	2 2	AF52R-30-22-13	2.263								
				250...500	250...500	2 2	AF52R-30-22-14	2.263								
30	105	50	90	24...60	-	2 2	AF65R-30-22-41	2.283								
				24...60	20...60 (1)	2 2	AF65R-30-22-11	2.283								
				48...130	48...130	2 2	AF65R-30-22-12	2.283								
				100...250	100...250	2 2	AF65R-30-22-13	2.263								
				250...500	250...500	2 2	AF65R-30-22-14	2.263								
37	125	60	105	24...60	-	2 2	AF80R-30-22-41	2.858								
				24...60	20...60 (1)	2 2	AF80R-30-22-11	2.858								
				48...130	48...130	2 2	AF80R-30-22-12	2.858								
				100...250	100...250	2 2	AF80R-30-22-13	2.758								
				250...500	250...500	2 2	AF80R-30-22-14	2.758								
45	130	60	115	24...60	-	2 2	AF96R-30-22-41	2.858								
				24...60	20...60 (1)	2 2	AF96R-30-22-11	2.858								
				48...130	48...130	2 2	AF96R-30-22-12	2.858								
				100...250	100...250	2 2	AF96R-30-22-13	2.758								
				250...500	250...500	2 2	AF96R-30-22-14	2.758								

(1) AF..-30...-11 not suitable for direct control by PLC-output.
 (2) Available in the US and Canada only.

Mounting dimensions mm, inches



AF40R, AF52R, AF65R



AF80R, AF96R